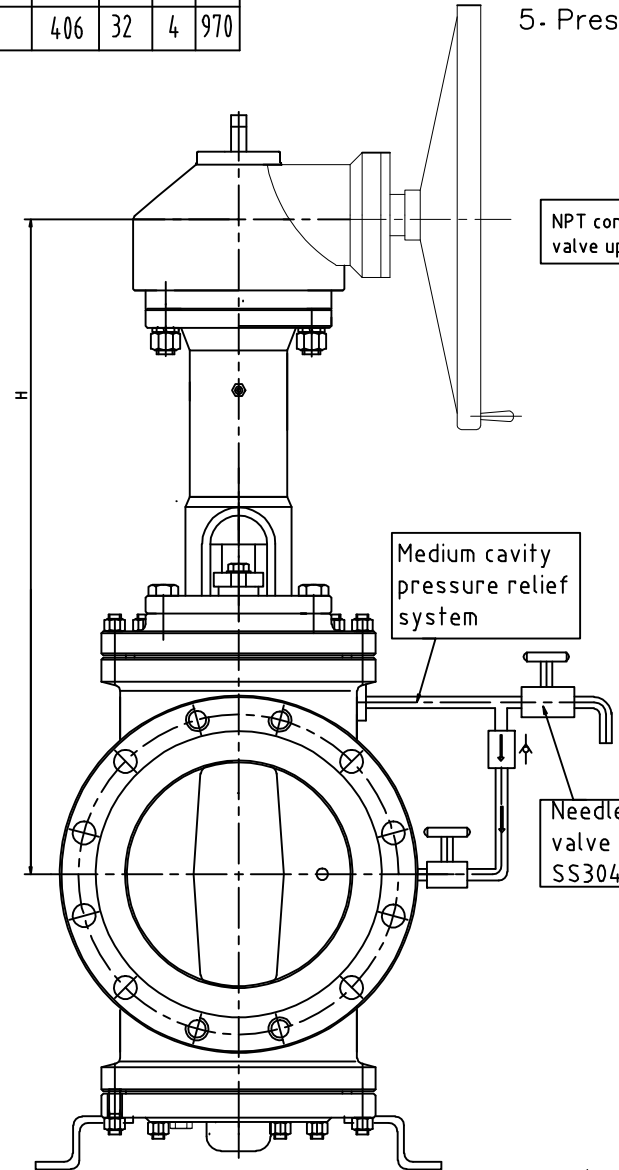
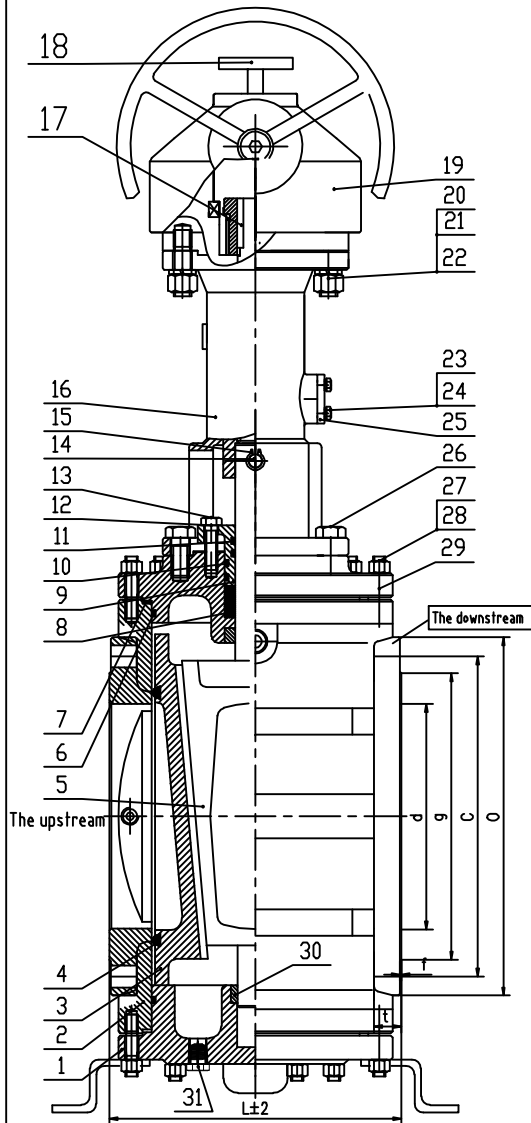


Dimensins in Millimetres

DN	PN	d	o	c	g	n-φ	L	t	f	H
300	16	303	460	410	378	8-φ26&4-M24	356	28	4	740
350	16	334	520	470	438	12-φ26&4-M24	381	30	4	733
400	16	385	580	525	490	12-φ30&4-M27	406	32	4	970

Performance Standard			
PN		16	
Test Pre- ssure	Shell Test	2.4	MPa
	Seal Test	1.8	
	Air Test	0.6	
Suitable Temp.		≤150 °C	
Suitable Medium:		W.O.G	

- Main parameter specification
1. Design and manufacture: API 6D.
  2. End Flange Dimensions: EN1092-1.
  3. Face to face: ANSI B16.10.
  4. Pressure test: API 6D.
  5. Pressure-Temp: ASME B16.34.



16	Yoke	A216 WCB
15	Retaining ring	304
14	Pin	A276 410
13	Hexagon bolt	A193 B7
12	flat gasket	A3
11	O-ring	VITON
10	O-ring	VITON
9	Packing Gland	A216 WCB
8	Packing	Graphite
7	Gasket	SS304+Graphite
6	O-ring	VITON
5	Plug	A216 WCB+ENP
4	Seat	VITON
3	Sliding vane	A216 WCB+ENP
2	Body	A216 WCB
1	Bottom cover	A216 WCB
NO.	PART NAME	MATERIAL

31	Plug NPT-1	SS304
30	Axis Guide	SF-1
29	Bonnet	A216 WCB
28	nut	A194 2H
27	Blot	A193 B7
26	Hexagon bolt	A193 B7
25	Guide pin	A276 410
24	Retaining ring	AISI 1566
23	Hexagon bolt	A193 B7
22	Retaining ring	AISI 1566
21	nut	A194 2H
20	Blot	A193 B7
19	bevel gear	WCB
18	indicator	1035
17	key	1035
NO.	PART NAME	MATERIAL

DBBRail plug valve		PN16 RF	DN300~DN400
DESIGNED BY			
CHECKED BY			
STANDARD BY			
APPROVED BY			
			ASSEMBLING DRAWING
			GDX541X-PN16(RF)