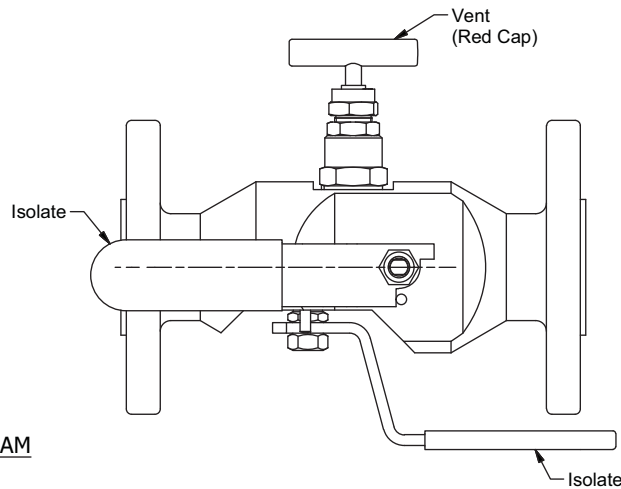
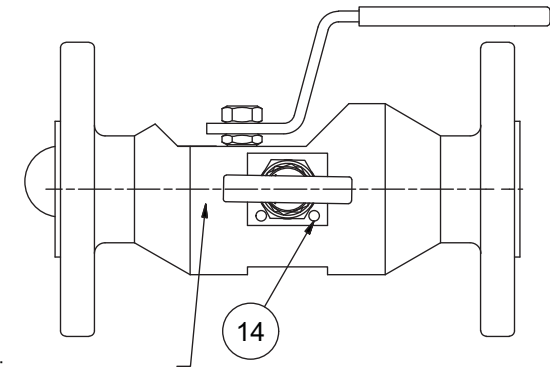
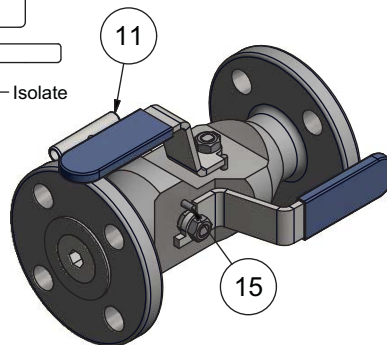
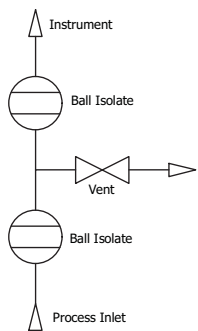


Marking to be etched:
 Logo
 BNB.16-150SRF-16-150SRF-8-SL-FS-NA
 1"150lbsRF - 1"150lbsRF
 AISI316L - HT. _____
 YEAR



Bonnet gasket material		
Type	Graphoil	PTFE
Vent		x

FLOW DIAGRAM



Tested according to A.P.I.598
 Test Pressure = 30 barg

Parts List						
ITEM	QTY	PART	MATERIAL	DWG/ PART NO.	HEAT NO.	Certificate
1	1	Valve Housing	AISI 316L	7-09-2401		3.1
2	2	Insert for flange	AISI 316L	7-09-0506		3.1
3	2	Gasket ring	PTFE	7-00-1201		none
4	4	Ball seat	PEEK	7-08-0106		2.2
5	2	Ball	AISI 316L	7-08-0109		3.1
6	2	Gasket bushing	AISI 316L	7-08-0105		none
7	4	Spindle gasket		7-08-0108		2.2
8	2	Spindle	AISI 316L	7-08-0103		3.1
9	2	Handle	AISI 316L	7-09-0104		none
10	2	Sleeve	Vinyl	7-09-0104		none
11	1	Bonnet Type SN - T bar	AISI 316L	7-00-0700		3.1 for Housing
12	2	Nut M8 - DIN 439B	A4			none
13	2	Nut M8 - DIN 934	A4			none
14	2	Pin Ø4x12mm - DIN 1474	A4			none
15	2	Pin Ø4x16mm - DIN 1474	A4			none

Included Accessories						
ITEM	QTY	PART	MATERIAL	DWG/ PART NO.	HEAT NO.	Certificate
16	1	Plug 1/2" NPT	AISI 316L	3-01-0100		none

Scale	Size	Date	Sign.	Double Block and Bleed Assembly - 1" 150lbs RF / 1" 150lbs RF	Gen. tolerances: ISO 2768 m
1 : 2	A3	Draw. 19-02-2016	IG		Drawing No.: 7-09-2400-0
Weight: 4,4 kg	Check				Order No.: