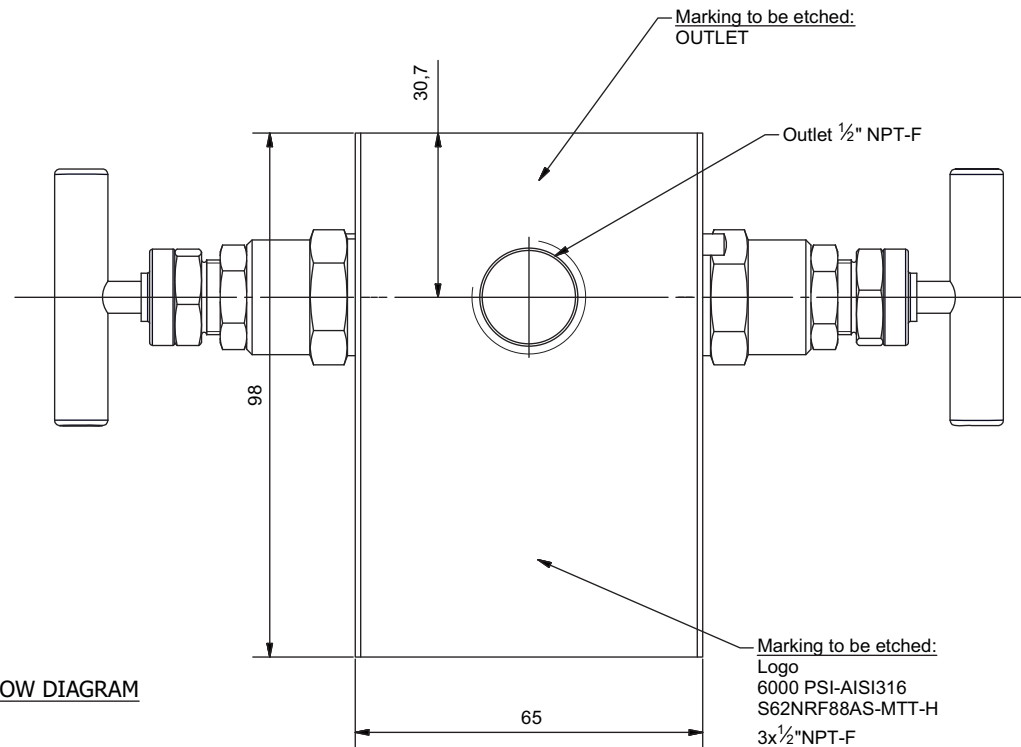
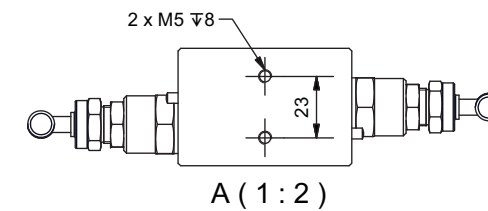
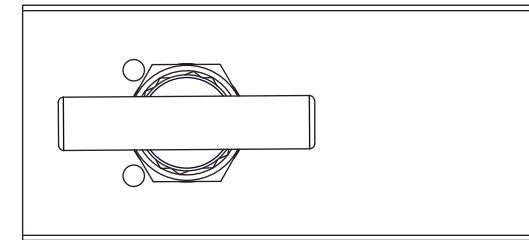
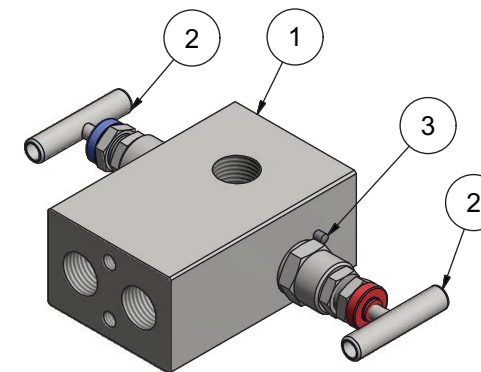
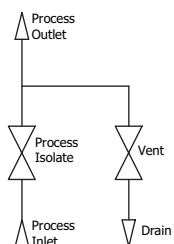


A



**FLOW DIAGRAM**



Bonnet gasket material		
Type	Grafoil	PTFE
Process Isolate		x
Vent		x

Parts List					
ITEM	QTY	PART	MATERIAL	DWG/ PART NO.	HEAT NO.
1	1	Manifold Housing	AISI 316	07-02-1011	
2	2	Bonnet Type SN - T bar	AISI 316	07-00-0700	
3	2	Pin $\varnothing$ 4x12mm	A4		
Scale	Size	Date	Sign.	Gen. tolerances: ISO 2768 m	
1:1	A3	Draw. 20-06-2014	MP	Drawing No.: 07-02-1010-0	
Weight: ~	Check			Order No.:	

Tested according to A.P.I.598

Assembly - BB 3 x  $\frac{1}{2}$ "NPT