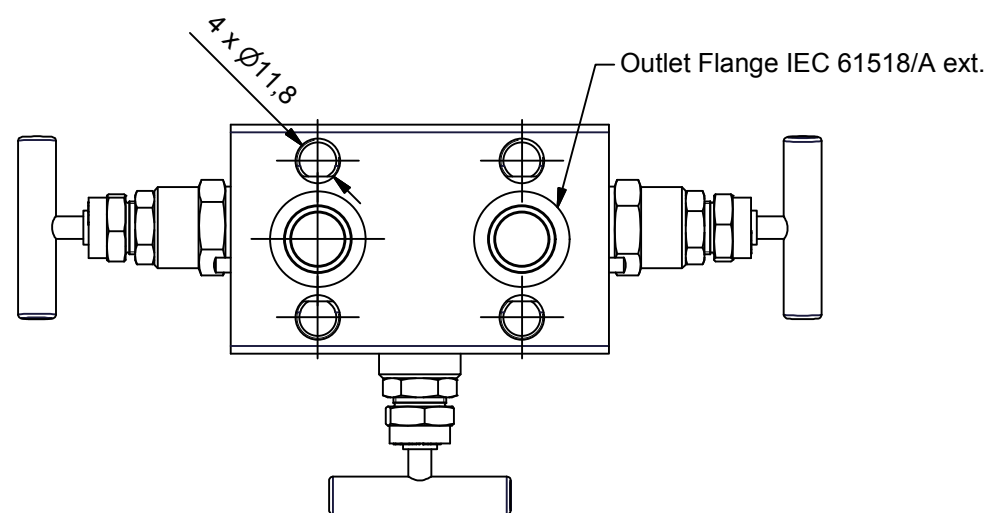
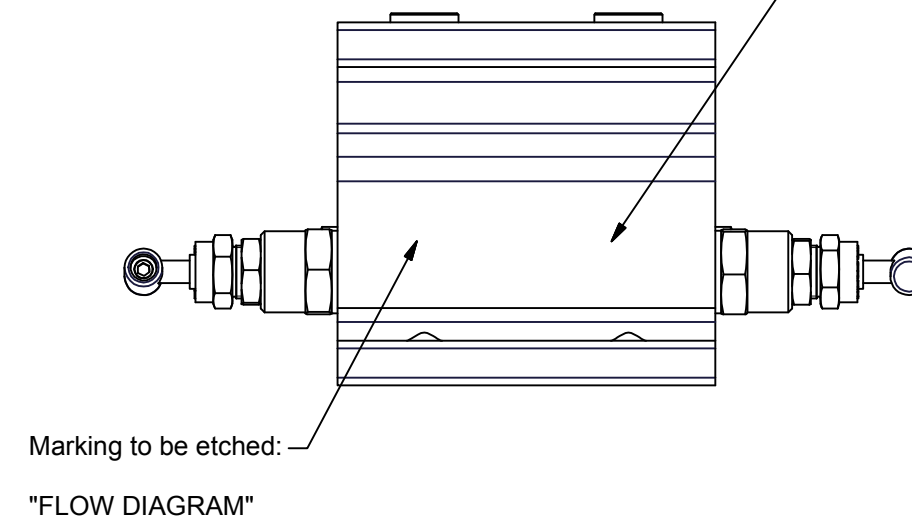
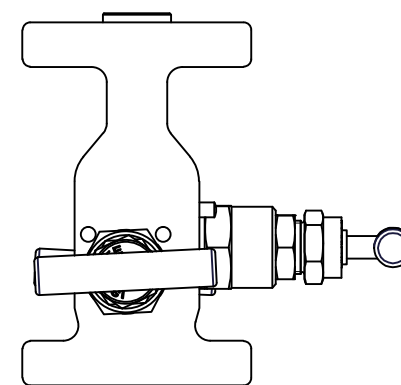
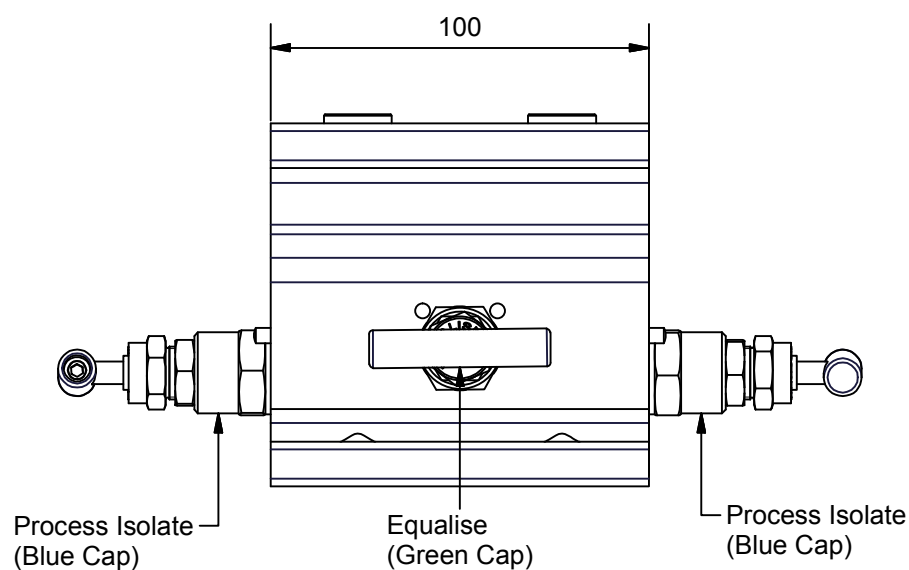
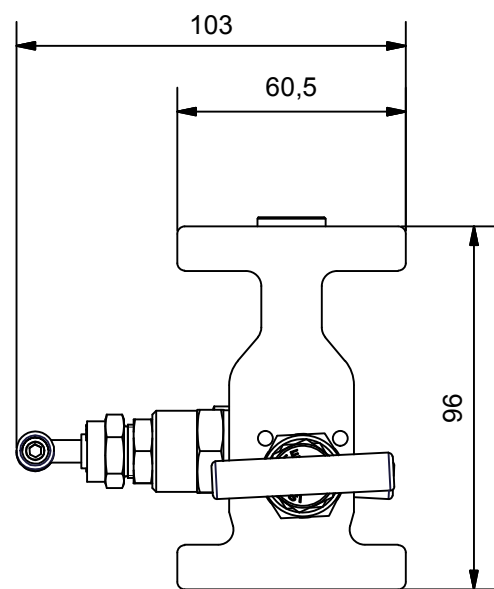
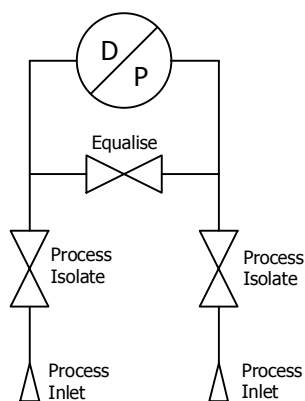


Marking to be etched:
 Logo
 6000 PSI-AISI316
 _____ (Part description)
 2 x IEC61518/A
 HT. _____ - _____ (Heat nr. - Year)



FLOW DIAGRAM



Gasket material		
Type	Grafoil	PTFE
IEC 61518		
Process Isolate		
Equalise		

Parts List					
ITEM	QTY	PART	MATERIAL	DWG/ PART NO.	HEAT NO.
1	1	Manifold Housing	AISI 316	7-11-0401	
2	3	Bonnet Type SN - T bar	AISI 316	07-00-0200	
3	2	Spigot	AISI 316	3-29-0102	
4	3	Pin Ø4x10mm	AISI 316		

Included Accessories					
ITEM	QTY	PART	MATERIAL	DWG/ PART NO.	HEAT NO.
5	2	Gasket Ø25 / Ø18,5 x 3 Type A	*	07-00-0601	
6	8	Hex head bolt 7/16" UNF x 1"	AISI 316		

Scale	Size	Date	Sign.	Assembly - 3 Valve - IEC 61518/A Int. + Ext. Customer: Project:	Gen. tolerances: ISO 2768 m
1:1	25-11-2014 Draw.		MP		Drawing No.: 07-11-0400-0
Weight: N/A	Check				Order No.:

Tested according to A.P.I.598
 Test Pressure = 621 barg