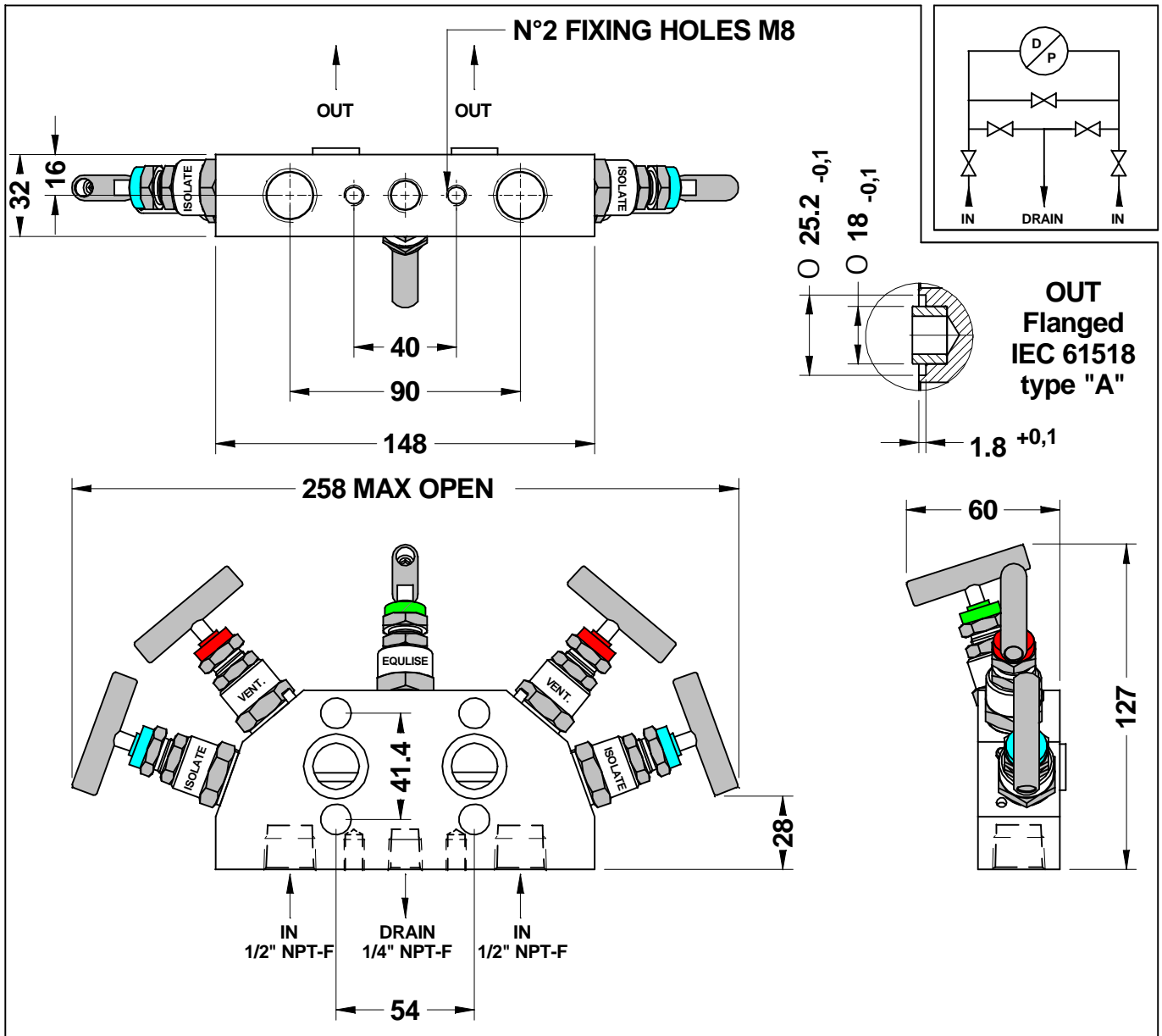


S65NDE8S/MTT

FIVE VALVE BAR STOCK MANIFOLD rating 6000 p.s.i.
THREADED/FLANGED connection with 1/4" NPT-F drain



Code	In	Out	Material	Packing
65NDE8S/MTT	1/2" NPT-F	IEC 61518/A	AISI 316L	PTFE

Included accessories	
screw CARBON STEEL	Q.TY 4
gasket PTFE	Q.TY 2

