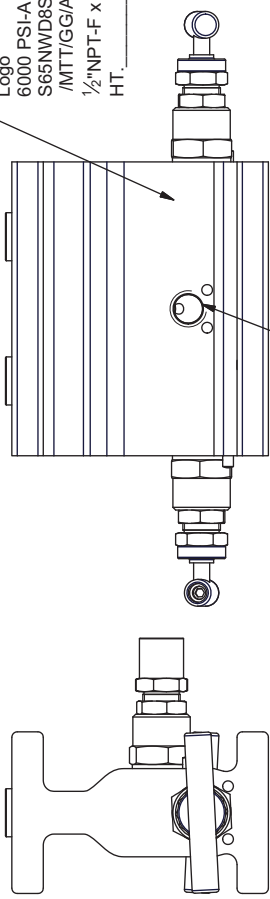
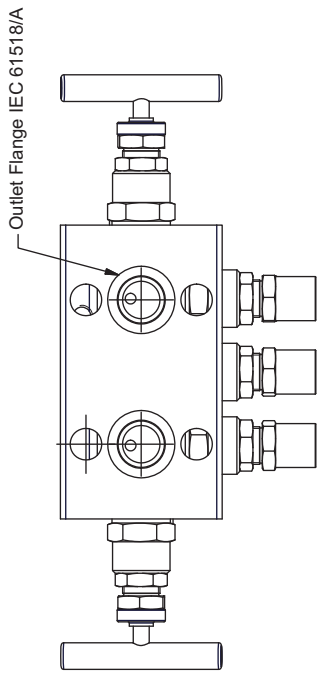
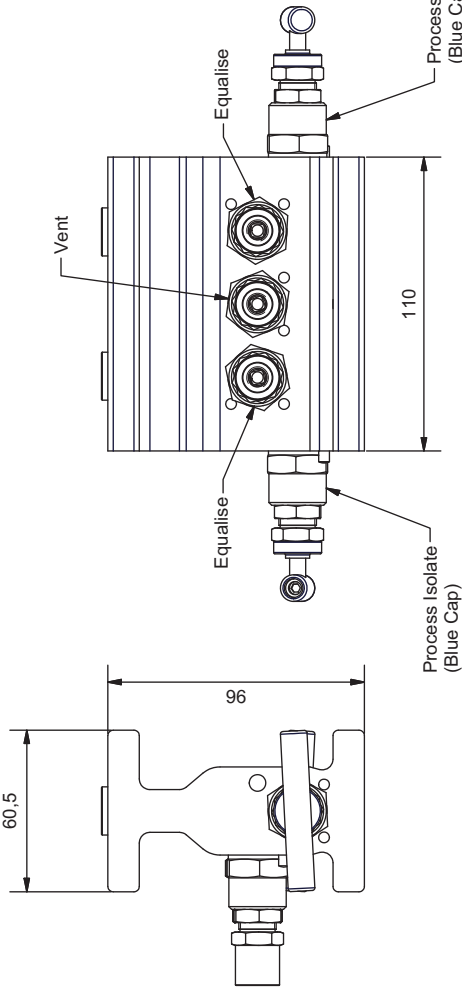
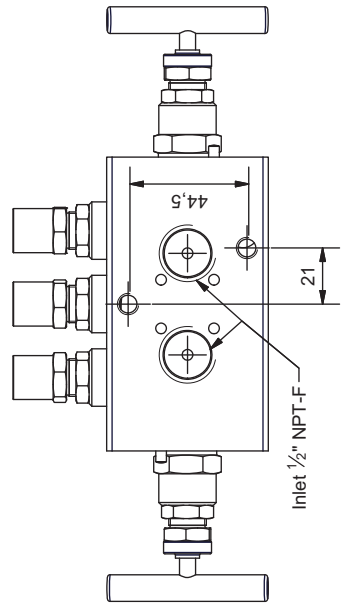


Marking to be etched:
 Logo
 6000 PSI-AISI316
 S65NWD8S/
 /MTT/GG/ATV
 1/2"NPT-F x IEC61518/A
 HT. _____ 2014



Bonnet gasket material	
Type	Grafoil / PTFE
Process Isolate	x
Vent	x
Equalise	x

Parts List					
ITEM	QTY	PART	MATERIAL	DWG/ PART NO.	HEAT NO.
1	1	Manifold Housing	AISI 316	07-03-0401	
2	2	Spigot L=12mm	AISI 316	07-00-0600	
3	2	Bonnet Type SN - T bar	AISI 316	07-00-0700	
4	3	Bonnet Type AN - Anti tamper	AISI 316	07-00-0900	
5	5	Pin Ø4x10mm	AISI 316		
Included Accessories					
ITEM	QTY	PART	MATERIAL	DWG/ PART NO.	HEAT NO.
6	2	Gasket Ø25 / Ø18.5 x 3 Type A	GRAFOIL	07-00-0601	
7	2	Hex head bolt M8 x 20mm	A4		
8	2	Washer Ø8	A4		
9	4	Hex head bolt 7/16" UNF x 1"	AISI 316		
10	1	Plug 1/4" NPT	AISI 316	03-09-0202	
11	3	Pin Ø4x25mm	AISI 316		
12	1	Handle for Anti Tamper Bonnet	AISI 316	07-00-0910	
Scale	Size	Date	Sign.		
1:1	A3	10-06-2014	MP	Assembly - 5 Valve - 1/2" NPT-F / IEC 61518/A	
Weight: 3,7 kg		Check		Drawing No.: 07-04-0400-0	
				Order No.:	2010838



FLOW DIAGRAM

