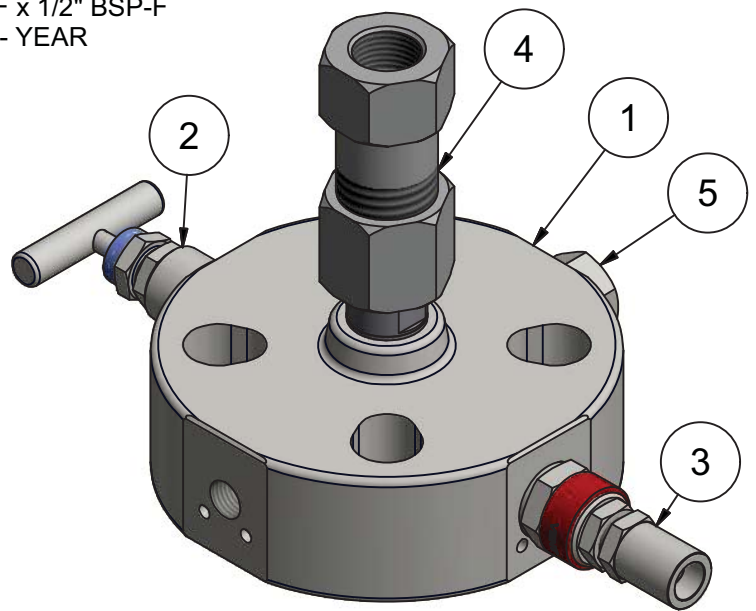
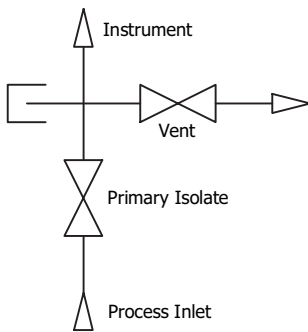


Isolate (Blue cap)  
 Drain 1/4" NPT-F  
 Vent (Red ring)

Marking to be etched:  
 M26.16-150/600SRF-8-SL  
 Class 150-600 - AISI 316-L  
 1" 150/600RF x 1/2" BSP-F  
 HT. \_\_\_\_\_ - YEAR



### FLOW DIAGRAM



Bonnet gasket material		
Type	Grafoil	PTFE
Primary Isolate		
Vent		

### Stykliste

POS	STK	DEL	MATERIALE	DWG/ DEL NR.	SMELTE NR.
1	1	Body	AISI 316-L	07-01-3401	
2	1	Bonnet Type SN - T bar	AISI 316-L	07-00-0700	
3	1	Bonnet Type AN - T bar	AISI 316-L	07-00-0300	
4	1	Swivel adaptor	AISI 316-L	07-00-2200	
5	1	1/2" NPT Plug	AISI 316-L		
6	2	Ø4x12 Pin - DIN1474	A4		
7	1	Handle for anti tamper	AISI 316		

Scale	Size	Date	Sign.	Monoflange BB - SL25.02015/060RF02		Gen. tolerances: ISO 2768 m
1 : 3	A4	21-12-2016	IG	MESC.60.98.55.310.1		Drawing No.: 7-01-3450-0
Weight: 4,2 kg	Check			Customer:	Project:	Order No.: