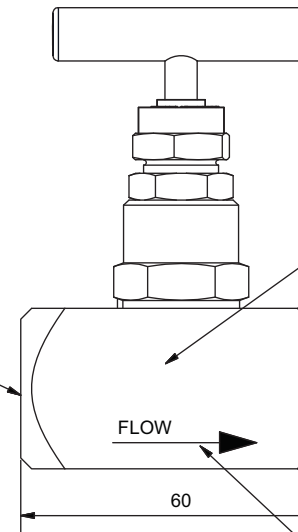


Process Isolate
(Blue cap)



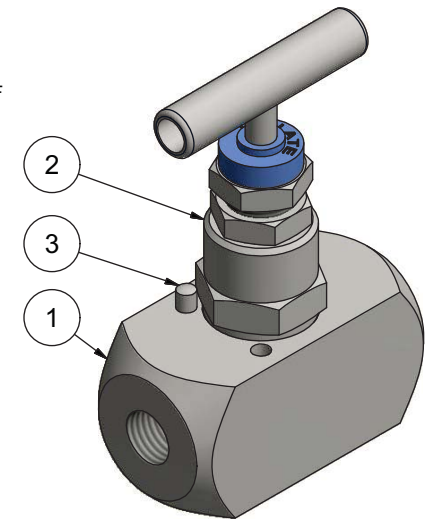
Inlet
1/4" NPT-F

FLOW

Marking to be etched:
(Logo)
S10NF44S-NA
1/4" NPT-F x 1/4" NPT-F
10000 PSI - AISI316
HT. _____ - YEAR

Outlet
1/4" NPT-F

Flow arrow to be etched



Bonnet gasket material		
Type	Grafoil	PTFE
Process Isolate		x

FLOW DIAGRAM



Parts List						
ITEM	QTY	PART	MATERIAL	DWG/ PART NO.	HEAT NO.	Certificate
1	1	Manifold Housing	AISI 316	07-02-0401		3.1
2	1	Bonnet Type SN - T bar	AISI 316	07-00-0700		3.1 for Housing
3	1	Pin Ø4x12mm - DIN 1474	A4			none

Scale	Size	Date	Sign.	Needle Valve - 1L000.1A02 Assembly - 1/4" NPT-F / 1/4" NPT-F	Gen. tolerances: ISO 2768 m
1:1	A3	Draw. 17-01-2014	MP		Drawing No.: 07-02-0410-0
Weight: 0,5 kg	Check				Customer: Project:

Order No.: