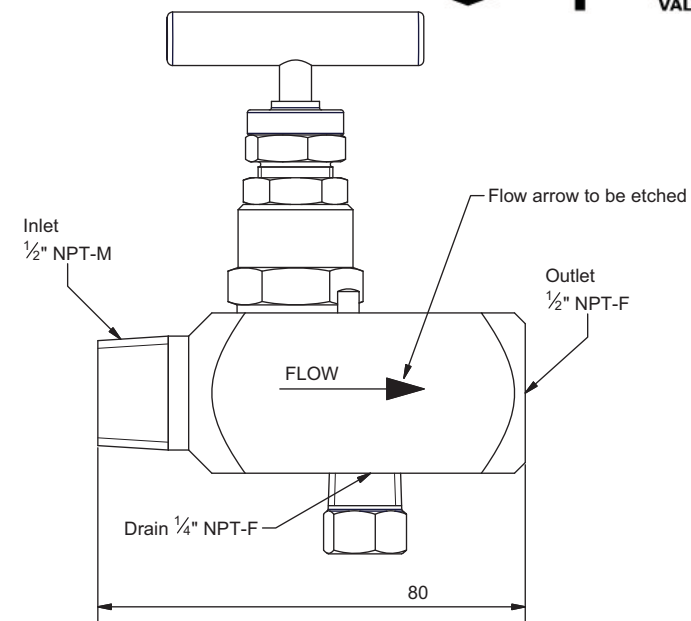
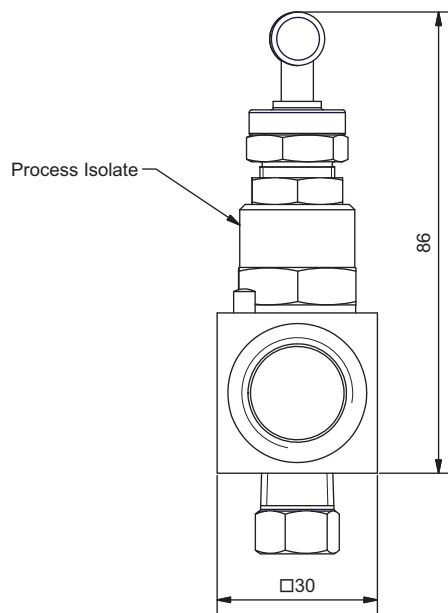
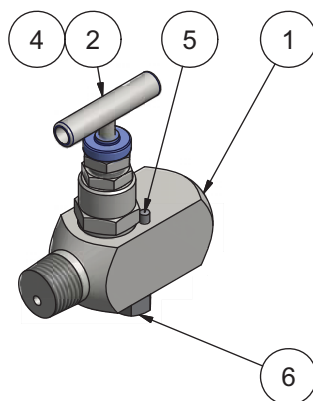
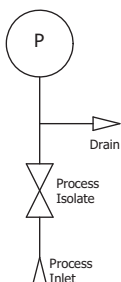


Marking to be etched:
 Logo
 6000 PSI-AISI316
 S61NBM88S/GG
 1/2"NPT-M x 1/2"NPT-F
 HT. _____ 2014



FLOW DIAGRAM



Bonnet gasket material		
Type	Grafoil	PTFE
Process Isolate	x	

Parts List					
ITEM	QTY	PART	MATERIAL	DWG/ PART NO.	HEAT NO.
1	1	Manifold Housing	AISI 316	07-02-0941	
2	1	Bonnet Type SN - T bar	AISI 316	07-00-0200	
4	1	Gasket	AISI 316	07-00-0209	
5	1	Pin Ø4x10mm	A4		
6	1	Plug 1/4" NPT	AISI 316	03-09-0202	

Scale	Size	Date	Sign.	Assembly - 1/2"NPT-M / 1/2"NPT-F	Gen. tolerances: ISO 2768 m
1:1	A3	Draw. 19-03-2014	MP		Drawing No.: 07-02-0940-0
Weight: 0.6 kg	Check				Order No.: