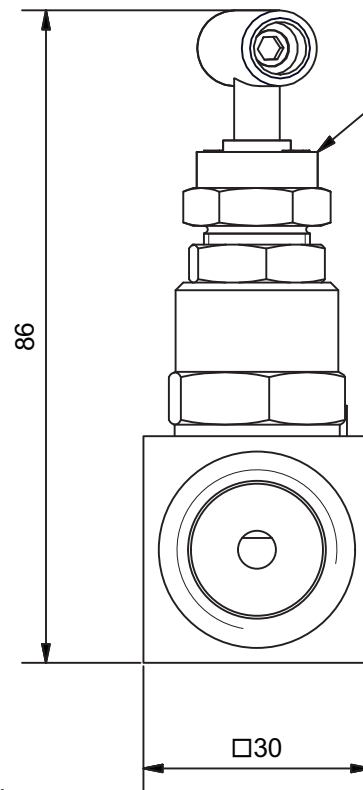
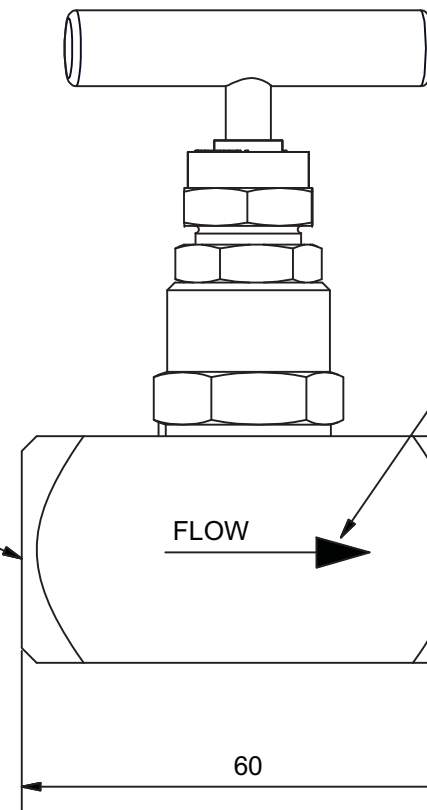


Marking to be etched:
 (Logo)
 S6NF88S
 6000 PSI-AISI316
 1/2"NPT-F x 1/2" NPT-F
 HT. _____ - YEAR



Process Isolate
(Blue cap)

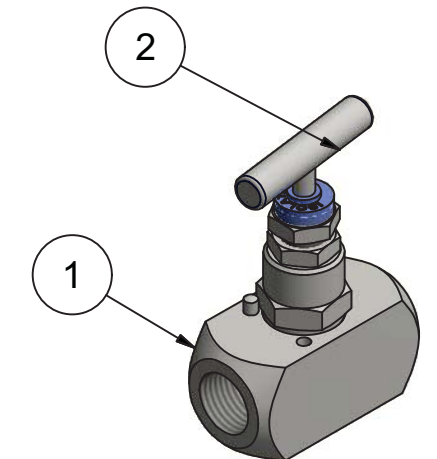


Inlet
1/2" NPT-F

FLOW

Flow arrow to be etched

Outlet
1/2" NPT-F



Bonnet gasket material		
Type	Graphoil	PTFE
Isolate		x

Parts List						
ITEM	QTY	PART	MATERIAL	DWG/ PART NO.	HEAT NO.	Certificate
1	1	Manifold Housing	AISI 316	07-02-0701		3.1
2	1	Bonnet Type SN - T bar	AISI 316	07-00-0700		3.1 for Housing
4	1	Pin Ø4x12mm - DIN 1474	A4			none

Scale	Size	Date	Sign.	Bar Stock Valve - 1L000.3A Assembly - 1/2" NPT-F / 1/2" NPT-F Customer: Project:	Gen. tolerances: ISO 2768 m
1:1	A3	Draw. 27-01-2017	IG		Drawing No.: 07-02-0710-0
Weight: 0.5 kg	Check				Order No.:

FLOW DIAGRAM

