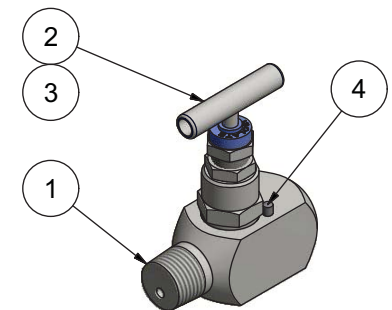


Marking to be etched:  
 Logo  
 S6NM88S-NA  
 AISI316 - 6000 PSI  
 1/2"NPT-M x 1/2"NPT-F  
 HT. \_\_\_\_\_ - YEAR



| Bonnet gasket material |         |      |
|------------------------|---------|------|
| Type                   | Grafoil | PTFE |
| Process Isolate        |         | x    |

FLOW DIAGRAM



| REVISION HISTORY |                         |            |    |
|------------------|-------------------------|------------|----|
| REV              | DESCRIPTION             | DATE       | BY |
| 1                | Update acc. to Standard | 16-08-2016 | IG |

Nace MR-01-75/ISO 15156  
 Material cert. to EN10204 3.1  
 Tested according to A.P.I.598

| Parts List |     |                        |          |               |          |      |
|------------|-----|------------------------|----------|---------------|----------|------|
| ITEM       | QTY | PART                   | MATERIAL | DWG/ PART NO. | HEAT NO. | Cert |
| 1          | 1   | Manifold Housing       | AISI 316 | 07-02-0961-0  |          | 3.1  |
| 2          | 1   | Bonnet Type SN - T bar | AISI 316 | 07-00-0700    |          | 3.1  |
| 3          | 1   | Gasket                 | AISI 316 | 07-00-0209    |          | None |
| 4          | 1   | Pin Ø4x12mm            | A4       |               |          | None |

| Scale          | Size | Date             | Sign. | Needle Valve<br>Assembly - 1/2" NPT-M / 1/2" NPT-F |  | Gen. tolerances: ISO 2768 m |
|----------------|------|------------------|-------|--|--|-----------------------------|
| 1:1            | A3   | Draw. 07-05-2014 | MP    | Customer:<br>Project:                              |  | Drawing No.:<br>7-02-0960-1 |
| Weight: 0.5 kg |      | Check            |       |  |  | Order No.:                  |