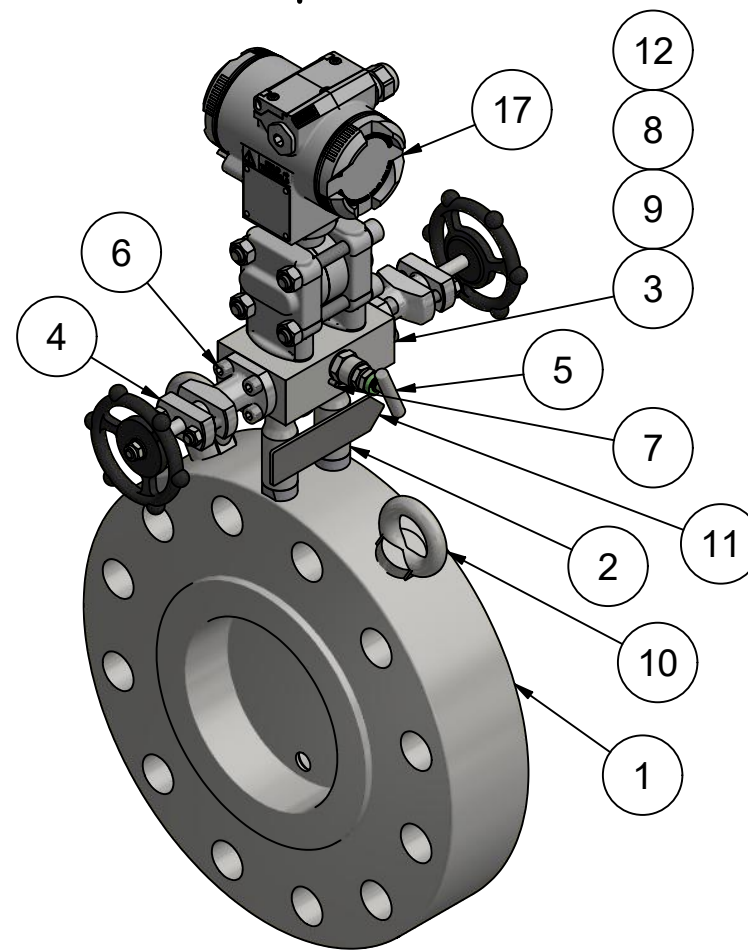


Bonnet gasket material		
Type	Grafoil	PTFE
Primary Isolate	x	
Equalise		x
IEC61518/A		x



Parts List						
ITEM	QTY	PART	MATERIAL	DWG/ PART NO.	HEAT NO.	Certificate
1	1	Orifice Plate	AISI 316L	1911330401		3.1
2	2	Tapping	AISI 316L	1911330304		3.1
3	1	Valve Manifold	AISI 316L	1911330305-020		3.1
4	2	Bonnet type L - OS&Y Handwheel	AISI 316	07000100-804		3.1 for housing
5	1	Bonnet type SN - T-bar	AISI 316	07000700-807		3.1 for housing
6	8	Socket head M8x20 - DIN 912	A4	912008020904		none
7	1	Pin Ø4x12mm - DIN 1474	A2	1474004012903		none
8	1	Spigot	AISI 316	07000600		none
9	1	Tagsign	AISI 316L	400000150043		none
10	2	Lifting Eye	A2	DIN 580, M16		none
11	1	Flow Arrow	AISI 316L	1911330305		none
12	4	Gasket (2 Spare)	PTFE	07000601-807		none

Included Accessories						
ITEM	QTY	PART	MATERIAL	DWG/ PART NO.	HEAT NO.	Certificate
13	4	Bolt 7/16" UNF x 57 mm	ASTM A193 B7	931UNF716057909		none
14	12	Stud 1 1/8" UNC x 300mm	ASTM A193 B7	29UC118300909		none
15	24	Nut 1 1/8" UNC Heavy Hex	ASTM A194 2H	29UCH118910		none
16	2	Spiral wound Gasket	SS316 / Gr / SS316	27020801020900		none
17	1	Transmitter- E&H PDM75	-	5710PDM751AA8HE		ATEX, 3.1

Design		Welding		Drawing	
Design code:	ASME B31.3	Welding proc.:	PED app. I 3.1.2 + ASME IX	All dimension in mm	
Design pressure:	144 barg	Welder qual.:	PED app. I 3.1.2 + ASME IX	<b>Connections</b>	
Design temperature:	75°C	<b>Post weld heat treatment - PWHT</b>		Main tube: 6" 900 lbs RF, ASME B16.5	
DN/Volume:	DN 150	According to EN/ISO 17663		Valve Manifold IEC 61518/A	
Welding factor:	0,85	Heating rate:	-	<b>Pressure test</b>	
Corrosion allowance:	0 mm	Holding temp.:	-	Performed by: Emco	
<b>Pressure Equipment Directive - 2014/68/EU</b>		Cooling rate:	-	Holding time @ pressure: 10 min. @ 216 barg	
Module:	-	<b>WPS and NDT No.</b>		Test media: Water	
Category:	-	Symbol	WPS No.:	NDT No.:	<b>Non destructive testing</b>
Fluid group:	-	A	9008	2 + 3	Test group according to: 0
Year of construction:	2019	B	-	-	NDT operator: ISO 9712 + PED app. I 3.1.3
Material cert. acc. to EN 10204 3.1	C	-	-	-	NDT No., scope, extend and standard:
<b>Surface treatment</b>		D	-	-	1 RT 0% -
None		E	-	-	2 PT 100% - ASME B31.3, Chapter VI
		F	-	-	3 VT 100% - ASME B31.3, Chapter VI



*Tag No.	*S/N
	3013566-6
	3013566-7
	3013566-8

		Almere - The Netherlands www.imperialvalve.nl			
Size	6"	Rating	900 lbs		
Body	AISI 316	Trim	AISI 316	Seat(s)	GG/PTFE
T. °C min/max.	+75°C	S/N	*		
Type/Tag No.	*	M/Year	2019		

Pipe size: 6" sch. 40S - Ø168,3 x 7,11 mm  
 Flange design code: ASME B16.5  
 Tapping design acc. to Shell drawing No.: S38.130-H  
 Material acc. to NACE MR0175/ISO 15156

Scale	Size	Date	Sign.	DN 150 (6") Orifice Plate		Gen. tolerances: ISO 2768 m
1 : 4	A3	07-03-2019	IG	Type MEF/S - 900 lbs RF		Drawing No.: 11-33-0700-0
Weight: 64,0 kg	Check			Customer:	Project:	Order No.: 3013566